

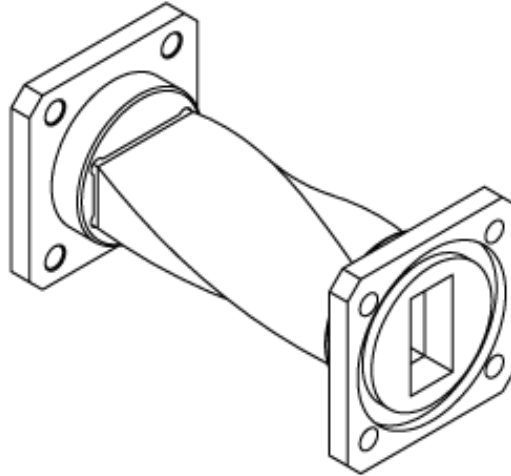


RF Components

Model Number:
WGTXX-197174-PBPB

X-Band Waveguide Twist

7.05 –10 GHz



Specification	
Waveguide Size	WG15 / WR112 / R84
Frequency	7.05 –10 GHz
Waveguide Flanges	PBR 120
Material	Copper Waveguide, Brass Flanges
Finish	Black Paint
VSWR	1.05:1
Insertion Loss	0.079dB per meter
Max Power	345 kW
Length	100mm
Twist Direction	Clockwise
Twist Angle	90 Degrees

Broadcast



Marine Oil & Gas



SNG & VSAT



Satellite Teleport

